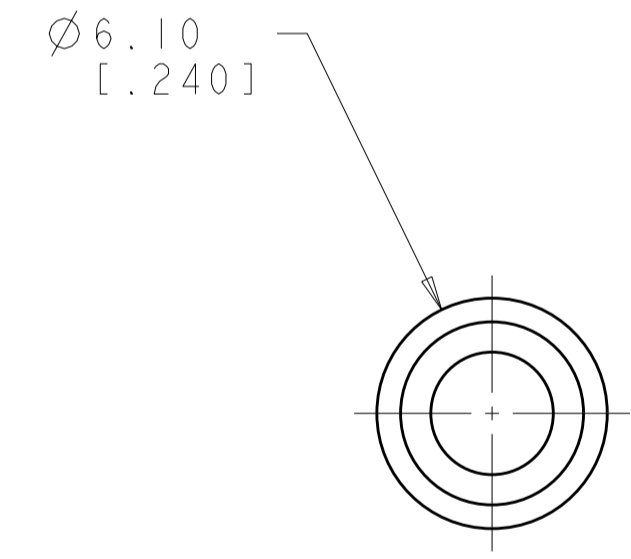
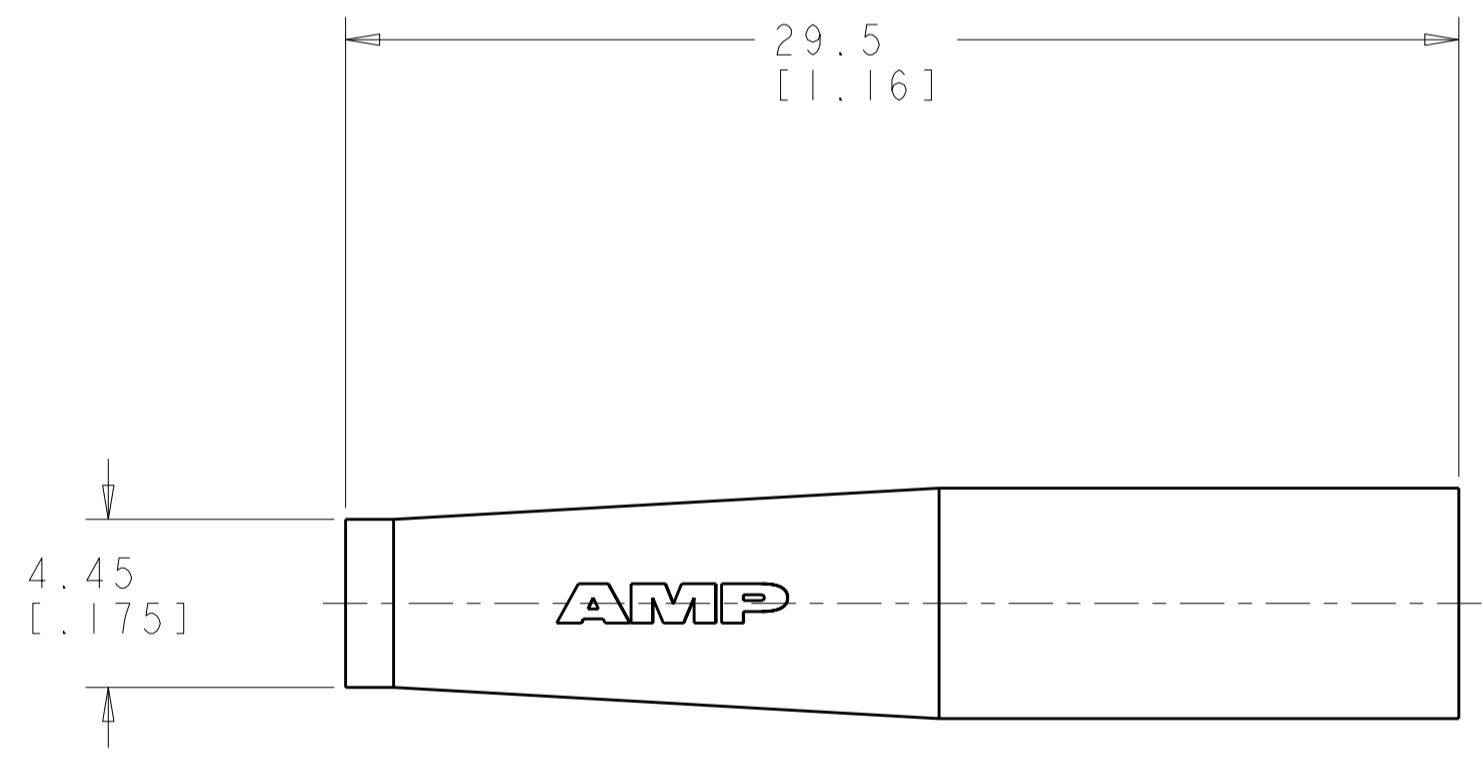
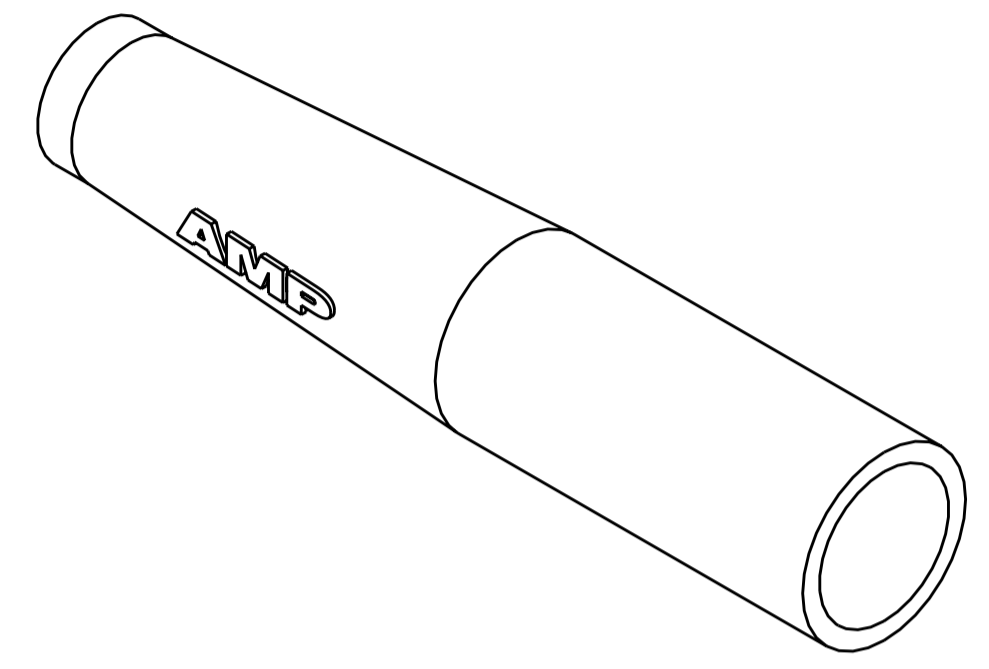


THIS DRAWING IS UNPUBLISHED. RELEASED FOR PUBLICATION 20
 © COPYRIGHT 19 BY TYCO ELECTRONICS CORPORATION. ALL RIGHTS RESERVED.

LOC	DIST	REVISIONS					
CE	00	P	LTR	DESCRIPTION	DATE	DWN	APVD
		F		REVISED PER 0A00-0436-02	15MAY2002	TA	SB
		G		REV PER 0A00-0589-03	10MAY04	KG	SB
		H		REVISE PER 0A00-0483-04	13SEP2004	BB	SM
		J		REVISE PER ECR-06-011170	19JUN2006	BB	SB

1 MATERIAL: TPE, SEE TABLE FOR COLOR, UL 94 V-0 RATED AT QUALIFYING THICKNESS.
 2 NO AMP LOGO



	2	2.0	BEIGE	2-503971-9
		2.0	GREEN	2-503971-8
		2.0	RED	2-503971-7
2	OBSOLETE	2.0	WHITE	2-503971-6
	2	2.0	BLACK	2-503971-5
	OBSOLETE	2.0	WHITE	2-503971-4
		2.0	BLACK	2-503971-3
	2	3.0	YELLOW	2-503971-2
	OBSOLETE	2.4/2.5	GREEN	2-503971-1
2	OBSOLETE	3.0	ORANGE	2-503971-0
	2	3.0	WHITE	1-503971-9
	2	3.0	GREEN	1-503971-8
	2	3.0	RED	1-503971-7
	2	3.0	BLACK	1-503971-6
	2	3.0	BLUE	1-503971-5
	2	3.0	BEIGE	1-503971-4
		2.4/2.5	RED	1-503971-3
		2.4/2.5	BLACK	1-503971-2
		3.0	RED	1-503971-1
		3.0	BLACK	1-503971-0
		2.0	YELLOW	503971-9
		2.4/2.5	YELLOW	503971-8
		3.0	YELLOW	503971-7
		2.0	BLUE	503971-6
		2.0	BEIGE	503971-5
		2.4/2.5	BLUE	503971-4
		2.4/2.5	BEIGE	503971-3
		3.0	BLUE	503971-2
		3.0	BEIGE	503971-1
		CABLE DIA	COLOR	PART NUMBER

THIS DRAWING IS A CONTROLLED DOCUMENT FOR TYCO ELECTRONICS CORPORATION. IT IS SUBJECT TO CHANGE AND THE CONTROLLING ENGINEERING ORGANIZATION SHOULD BE CONTACTED FOR THE LATEST REVISION.

DWN	T. GREEN	14 JAN 00	Tyco Electronics Harrisburg, PA 17105-3608
CHK	M. BURKHOLDER	14 JAN 00	
APVD	S. BUCHTER	14 JAN 00	
NAME	BOOT, SHORT, AMP SC/FC TYPE		
DIMENSIONS:	TOLERANCES UNLESS OTHERWISE SPECIFIED:		PRODUCT SPEC
mm [INCHES]	0 PLC ±		APPLICATION SPEC
	1 PLC ±0.3 [.01]		WEIGHT
	2 PLC ±0.15 [.006]		SCALE
	3 PLC ±		SHEET
	4 PLC ±		OF
	ANGLES ±		REV
	FINISH -		J
MATERIAL	FINISH -		CUSTOMER DRAWING
	RESTRICTED TO		

AMP 1471-9 REV 31MAR2000
 Pro/ENGINEER DRAWING